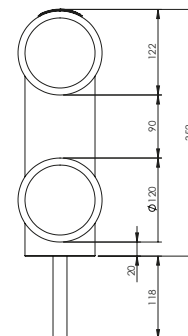
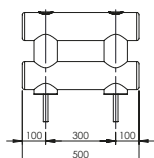
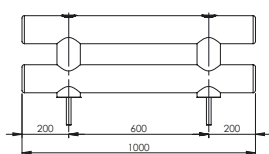
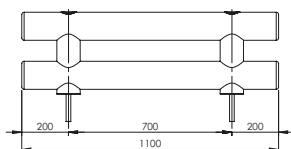
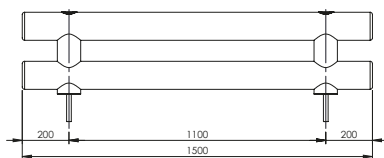
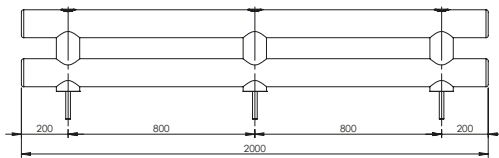
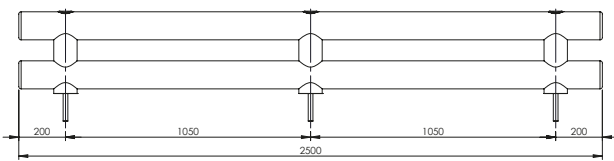
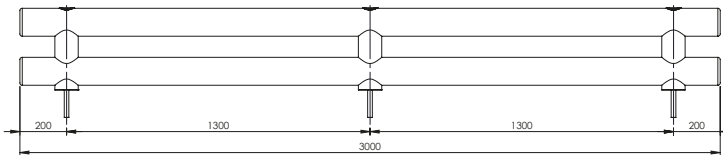
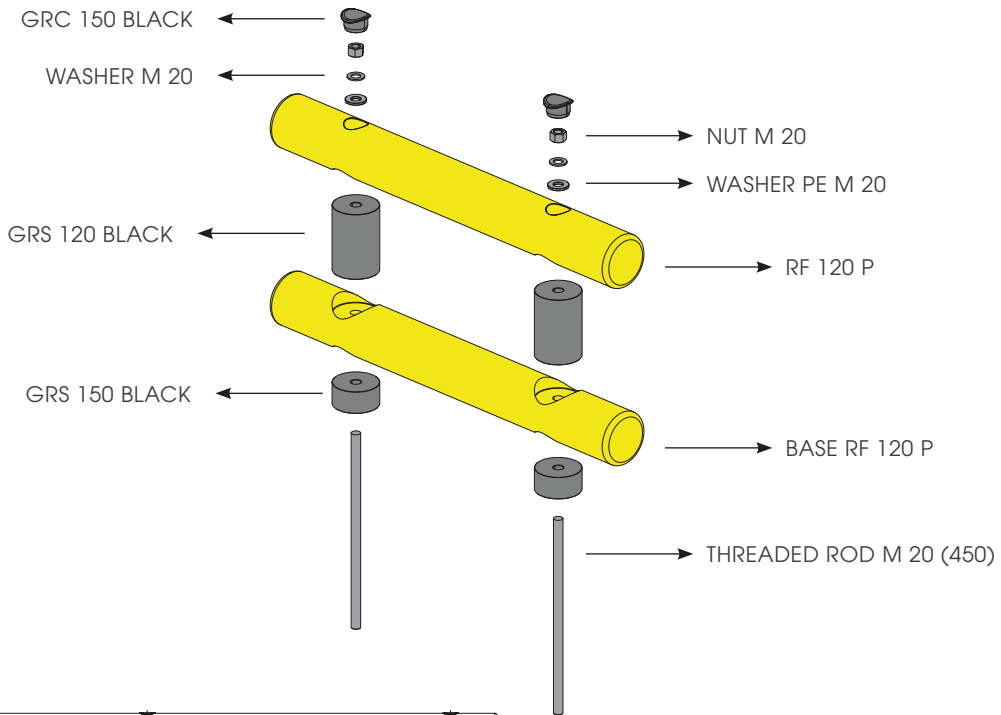


# ROD FLOOR 120 DOUBLE

BARRIERA DOPPIA  
DOUBLE-RAIL BARRIER



RESISTANT TO  
LOW TEMPERATURES



# ROD FLOOR 120 DOUBLE

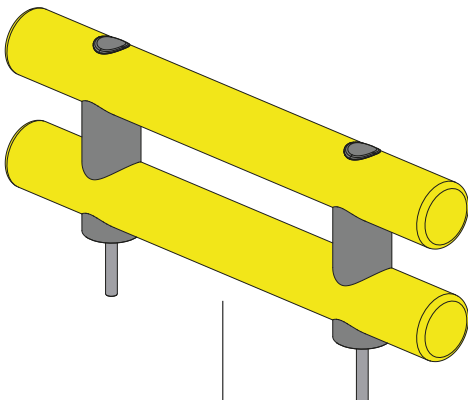
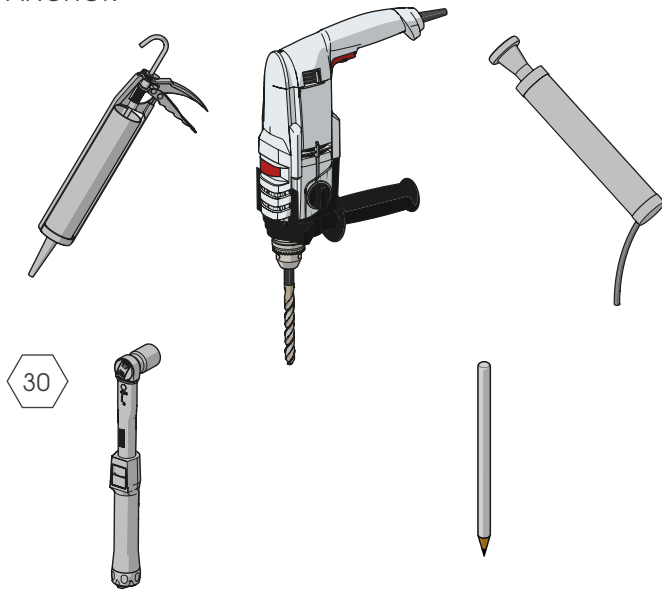


ISTRUZIONI DI INSTALLAZIONE  
ASSEMBLY INSTRUCTIONS

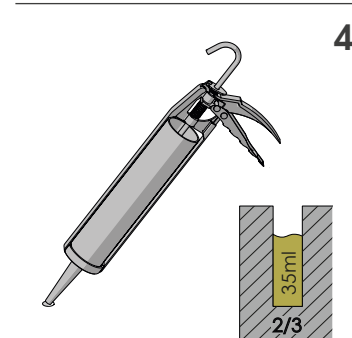
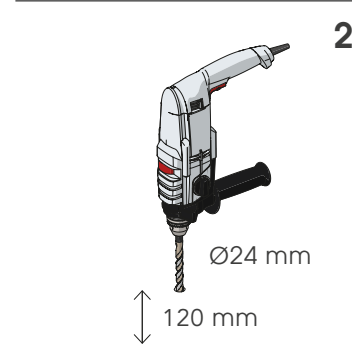
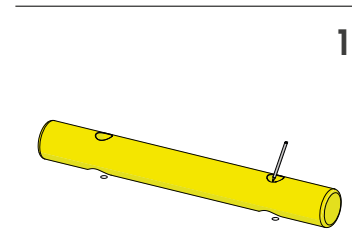
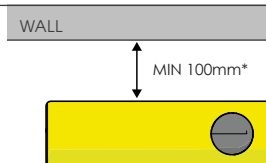
ONLY WITH RESIN

CHEMICAL  
ANCHOR

Ø24 mm

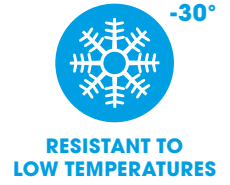


**WARNING**  
The distance of installation depends on speed and weight of vehicle



# ROD FLOOR 120 DOUBLE

ISTRUZIONI DI INSTALLAZIONE  
ASSEMBLY INSTRUCTIONS



ONLY WITH RESIN

